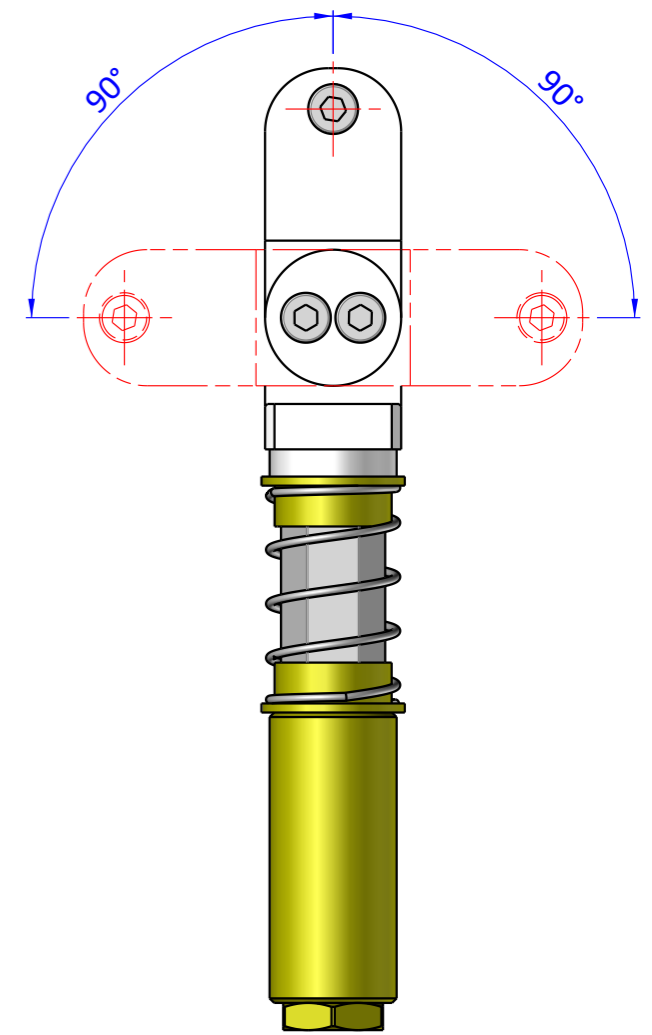
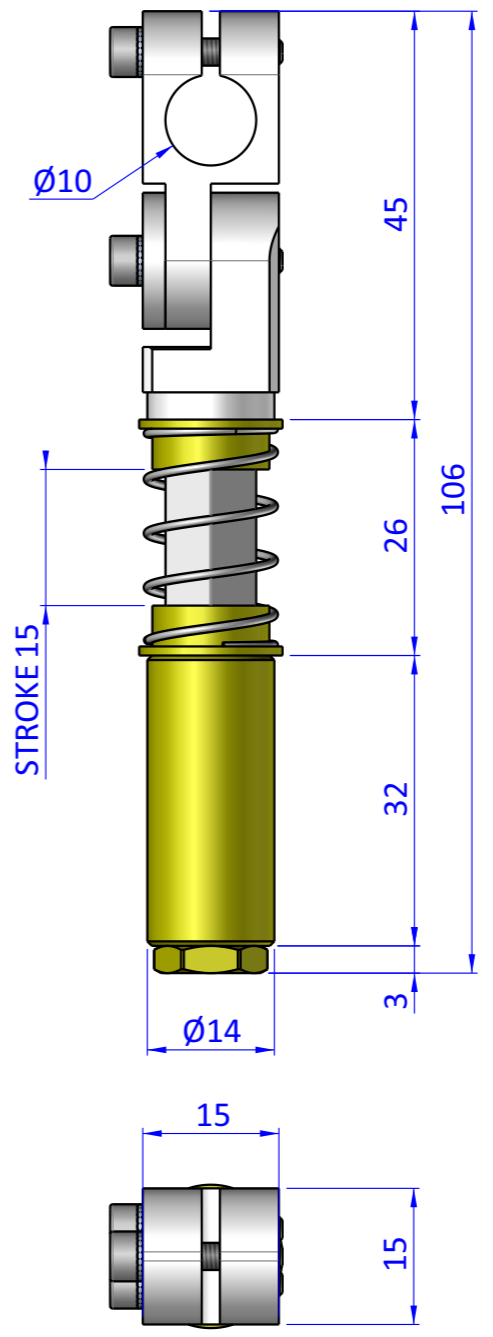
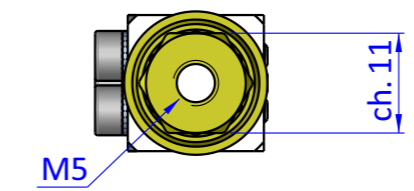
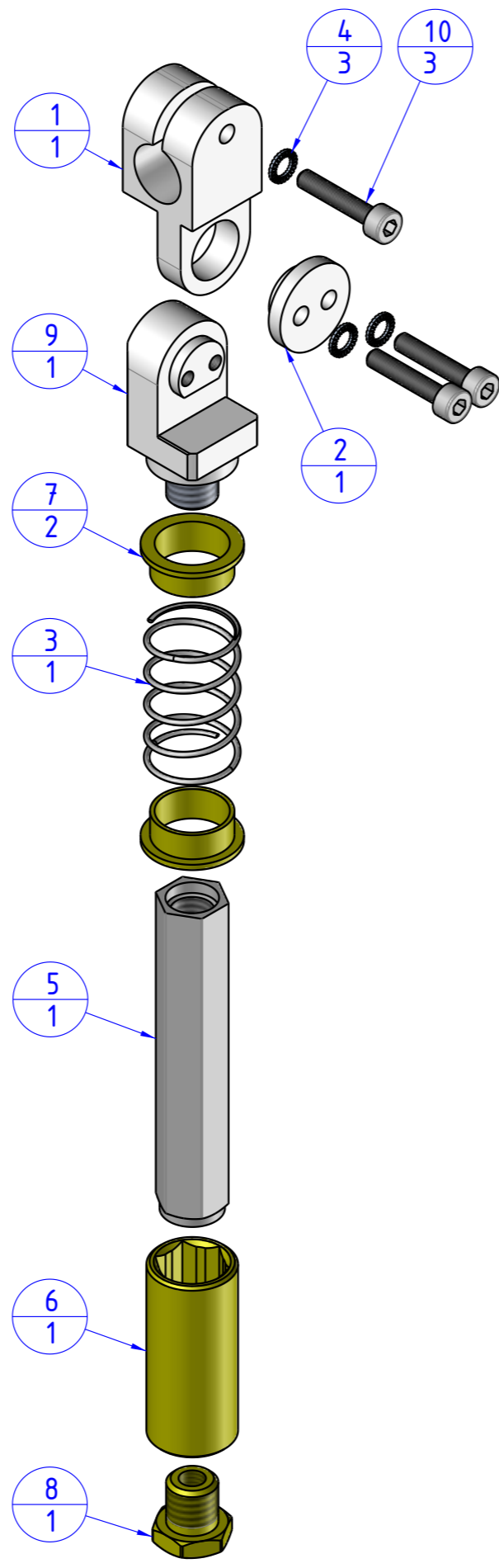



THE PROPERTY OF THE DRAWING IS ESTABLISHED BY LAW. IT IS FORBIDDEN TO PRODUCE OR SHOW IT TO THIRD PART. WITHOUT A WRITTEN AGREEMENT.

Item	Name	Q.ty
1	GVR.10.2	1
2	GVR.10.3	1
3	M.15x35	1
4	R.3.SCH	3
5	SAE.14181815.2	1
6	SAE.14181815.3	1
7	SAE.14181815.4	2
8	SAE.14181815.5	1
9	SAM.1410.1	1
10	V.TCE3x16	3



Format A3
UNI 936-76

 FPS FPSERVICES AUTOMATION		DESIGNED FROM		REVIEW
		FPS Automation		A
GENERAL TOLERANCE		DATE	WEIGHT	
UNI - ISO 2768		24/01/2022	0,058kg	
CLASSE f		CODE		
		CA.SAM.141510		CA.SAM.141510